

# Welcome to the Class



**Department of Computing and Information System**

# Sequential And Combinational ALU

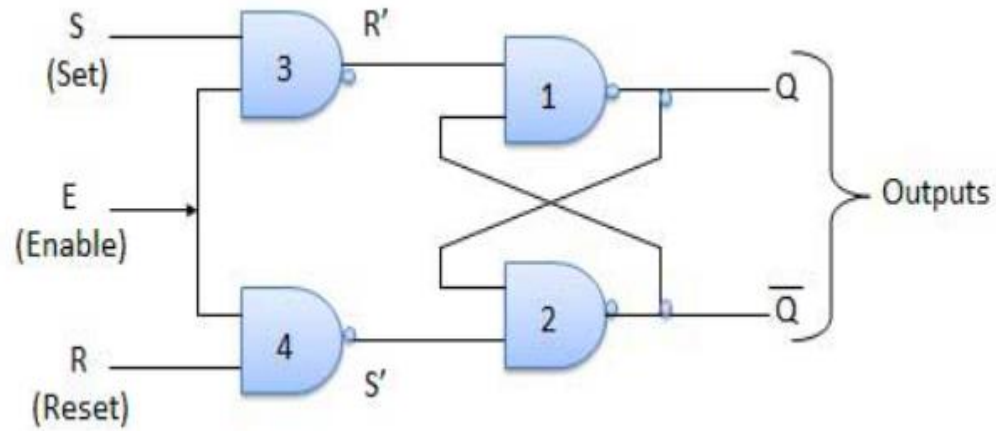
# TYPES OF DIGITAL LOGIC CIRCUITS IN ALU

- COMBINATIONAL CIRCUITS
- SEQUENTIAL CIRCUITS

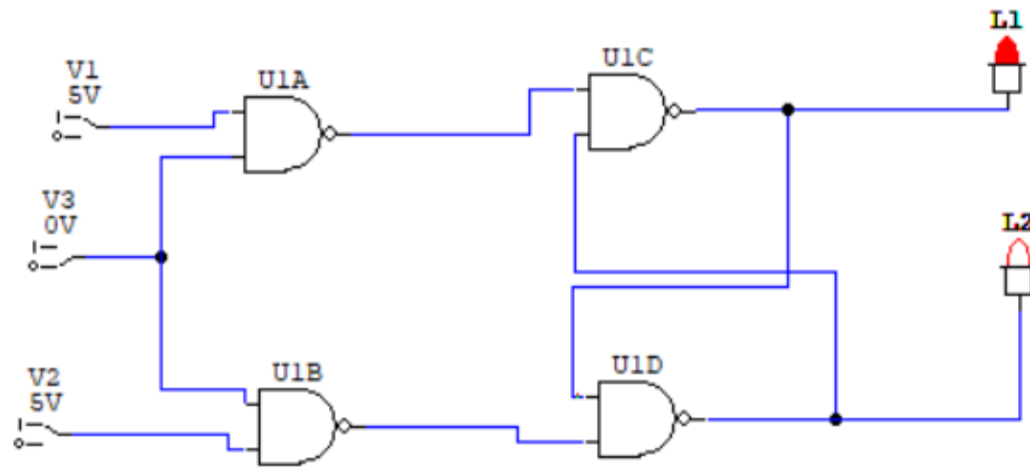
# Sequential Circuit

**Flip flop** is a sequential circuit which generally samples its inputs and changes its outputs only at particular instants of time and not continuously. Flip flop is said to be edge sensitive or edge triggered rather than being level triggered like latches.

## Figure of Sequential Circuit by SR flip flop

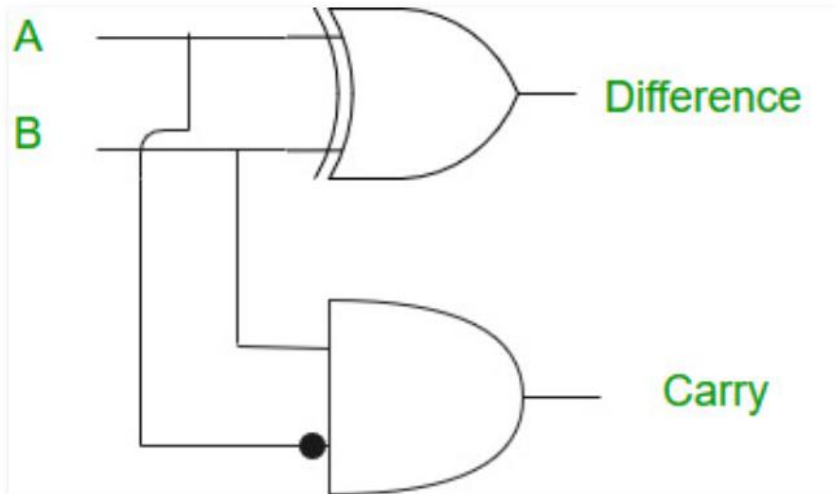


## SR flip flop in circuit maker



# Half Subtractor in Digital Logic

A	B	Diff	Borrow
0	0	0	0
0	1	1	1
1	0	1	0
1	1	0	0



# Thanks to All